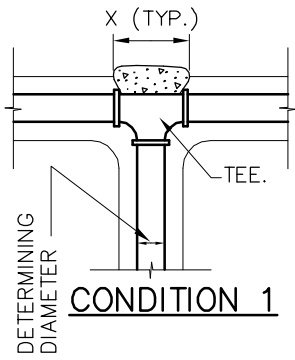
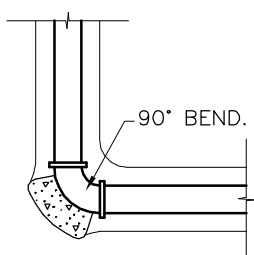


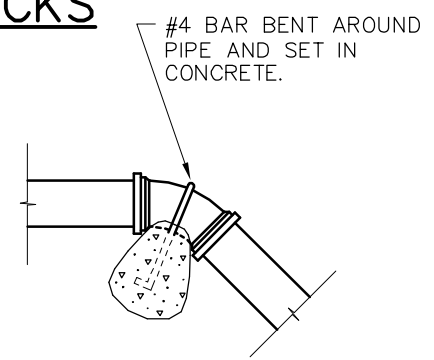
# STANDARD THRUST BLOCKS



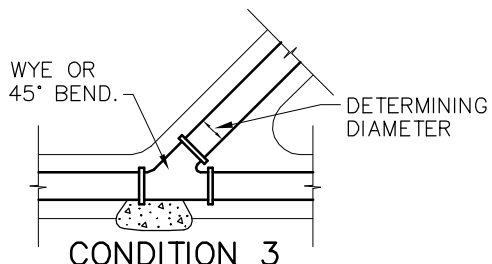
**CONDITION 1**



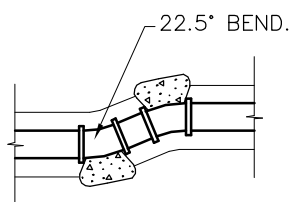
**CONDITION 2**



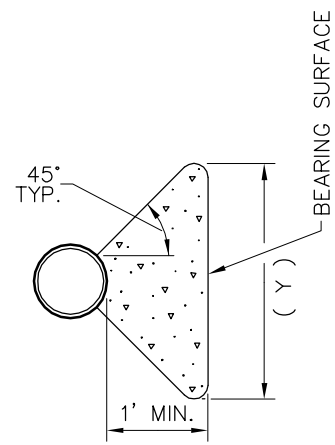
**VERTICAL BEND DETAIL**



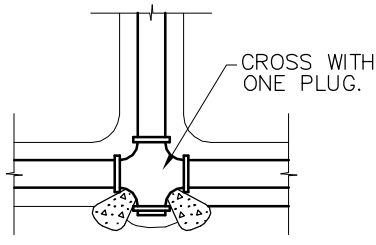
**CONDITION 3**



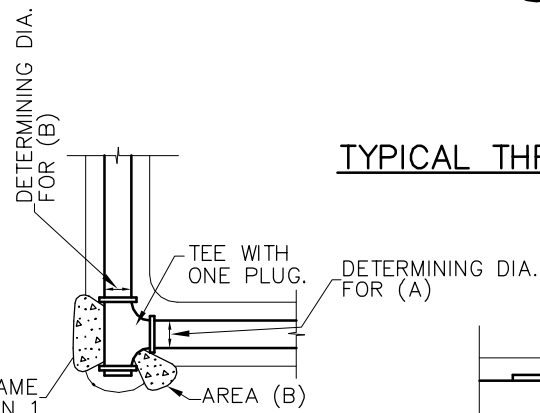
**CONDITION 4**



**TYPICAL THRUST BLOCK SECTION**

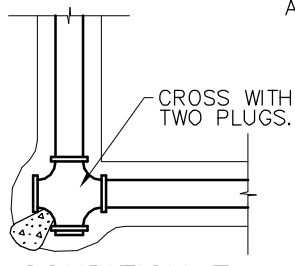


**CONDITION 5**

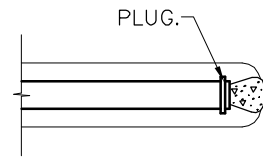


**CONDITION 6**

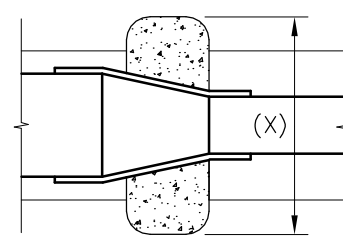
AREA (A) SAME AS CONDITION 1



**CONDITION 7**



**CONDITION 8**



**REDUCER THRUST BLOCK**

- 8" x 4" REDUCER - BEARING AREA = 7.5 SQ. FT.
- 8" x 6" REDUCER - BEARING AREA = 4.4 SQ. FT.
- 10" x 6" REDUCER - BEARING AREA = 10.0 SQ. FT.
- 10" x 8" REDUCER - BEARING AREA = 5.6 SQ. FT.
- 12" x 6" REDUCER - BEARING AREA = 17.0 SQ. FT.
- 12" x 10" REDUCER - BEARING AREA = 6.9 SQ. FT.

REVISION	DATE

NOTE: SEE S-422 FOR THRUST BLOCK BEARING AREAS.

**S-421**



**Jones & DeMille Engineering**  
 1535 South 100 West - Richfield, Utah 84701  
 (435) 896-8266 Phone  
 (435) 896-8268 Fax  
 www.jonesanddemille.com

<b>RICHFIELD CITY</b>		
<b>WATER - CULINARY</b>		
SCALE: NONE	ENG.: T.M.J.	PROJ.#: 0501-144
DATE: 01/24/2005	DWG.BY: L.G.	DWG.NAME: water