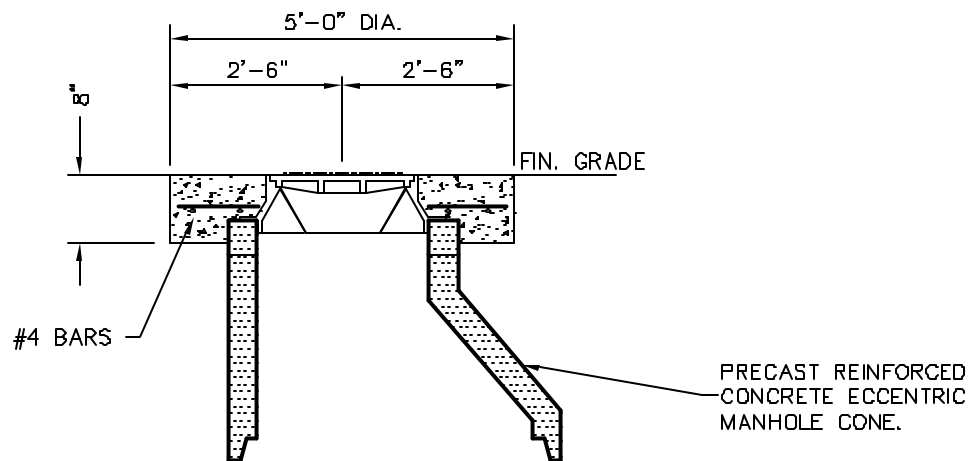


PLAN



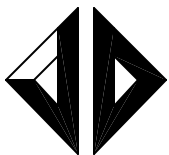
SECTION

STANDARD SEWER MANHOLE CONCRETE COLLAR DETAIL

- NOTES: 1. USE GRADE RINGS AS NECESSARY TO ARRIVE AT REQ'D FINISH GRADE.
2. CONCRETE COLLAR REQ'D FOR MANHOLES WITHIN PAVED STREETS.

REVISION	DATE

S-305



Jones & DeMille Engineering

1535 South 100 West - Richfield, Utah 84701
(435) 896-8266 Phone
(435) 896-8268 Fax
www.jonesanddemille.com

RICHFIELD CITY

SEWER - SANITARY

SCALE: NONE

ENG.: J.F.S.

PROJ.#: 0501-144

DATE: 01/21/2005

DWG.BY: L.G.

DWG.NAME: Sewer