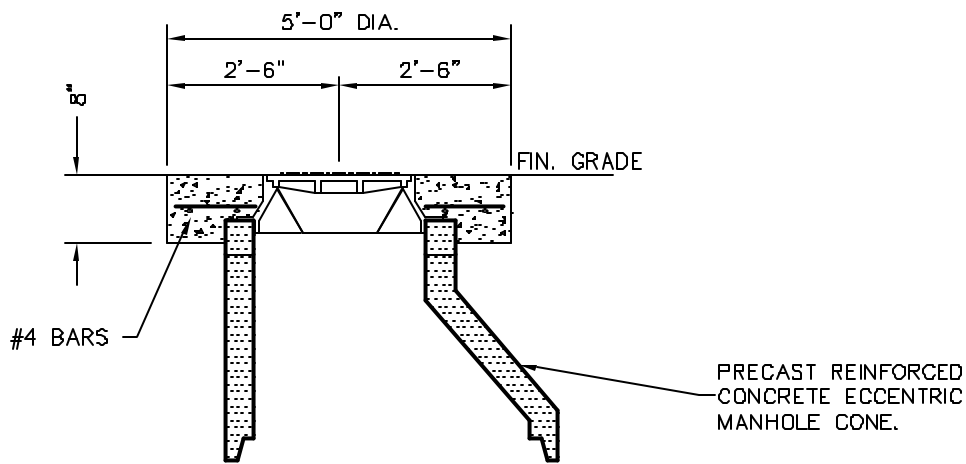


PLAN



SECTION

## STANDARD MANHOLE CONCRETE COLLAR DETAIL

- NOTES: 1. USE GRADE RINGS AS NECESSARY TO ARRIVE AT REQ'D FINISH GRADE.  
2. CONCRETE COLLAR REQ'D FOR MANHOLES WITHIN PAVED STREETS.

REVISION	DATE

S-186



**Jones & DeMille Engineering**

1535 South 100 West - Richfield, Utah 84701  
(435) 896-8266 Phone  
(435) 896-8268 Fax  
www.jonesanddemille.com

**RICHFIELD CITY**

**ROADWAY & MISCELLANEOUS**

SCALE: NONE

ENG: T.M.J.

PROJ.#: 0501-144

DATE: 01/24/2005

DWG.BY: L.G.

DWG.NAME: Road