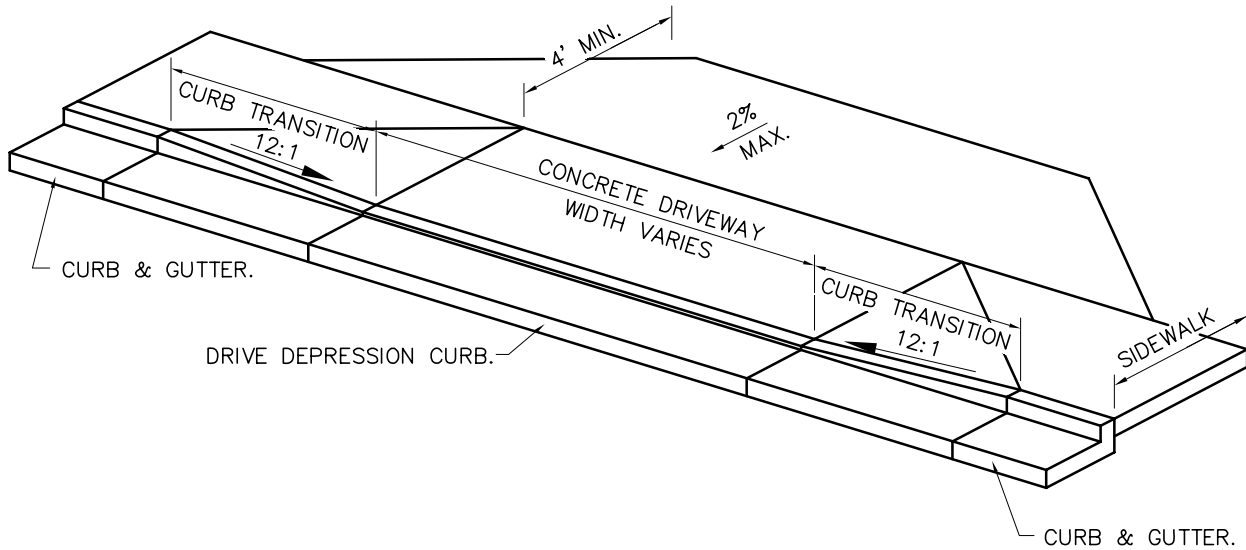


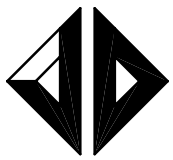
**DRIVE DEPRESSION & TRANSITION DETAIL**  
(DRIVEWAY WITH WIDE SIDEWALKS)



**DRIVE DEPRESSION & TRANSITION DETAIL**  
(SIDEWALK AGAINST CURB)

REVISION DATE	

**S-151**



**Jones & DeMille Engineering**  
 1535 South 100 West – Richfield, Utah 84701  
 (435) 896-8266 Phone  
 (435) 896-8268 Fax  
 www.jonesanddemille.com

<b>RICHFIELD CITY</b>		
<b>ROADWAY &amp; MISCELLANEOUS</b>		
SCALE: NONE	ENG.: T.M.J.	PROJ.#: 0501-144
DATE: 01/24/2005	DWG.BY: L.G.	DWG.NAME: Road