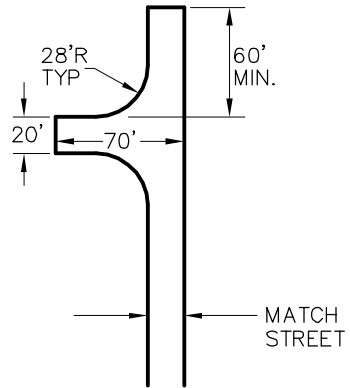
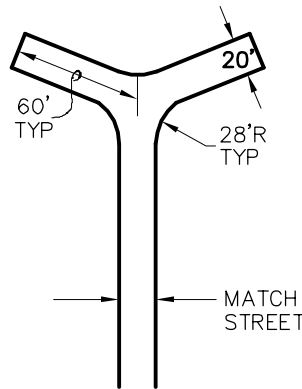


120' HAMMERHEAD



ACCEPTABLE  
ALTERNATE TO  
120' HAMMERHEAD



ACCEPTABLE  
ALTERNATE TO  
120' HAMMERHEAD

TEMPORARY TURNAROUNDS  
(AT END OF SUBDIVISION PHASES)

REVISION DATE	

S-122



**Jones & DeMille Engineering**

1535 South 100 West — Richfield, Utah 84701  
 (435) 896-8266 Phone  
 (435) 896-8268 Fax  
 www.jonesanddemille.com

**RICHFIELD CITY**

**ROADWAY & MISCELLANEOUS**

SCALE: NONE	ENG.: T.M.J.	PROJ.#: 0501-144
DATE: 01/24/2005	DWG.BY: L.G.	DWG.NAME: Road